

Kailux

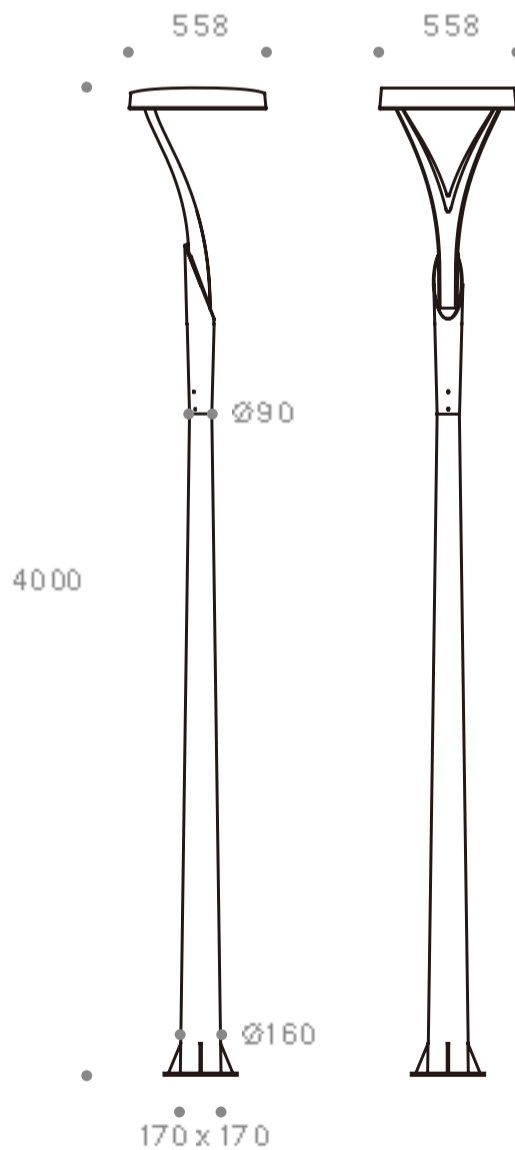
Last Update : 2023 . 11

Code
E0158-70S40Z000

Technical data

LED Source	SMD
Luminous Flux (lm)	9362(4000K)
Power (W)	70
Luminous efficiency (lm/W)	133
Beam angle (°)	Symmetry
Color Temperature (K)	4000
CRI	≥80
Installation	-
Dimension (mm)	558 x 558 x 4000
Housing	Diecast aluminium body, Stainless steel screws, Silicone seal gaskets
Diffuser	Polycarbonate
Reflector	-
Optic	-
IP rating	65
Finish Color	Dark gray powdercoat finish
Electrical Data	AC 220~240V, 50~60 Hz
Control	-
Certification	KS, 고효율

Drawing



Photometric Data

Condition 70W . 4000K . 9362lm

