

Kailux

Last Update : 2023 . 08

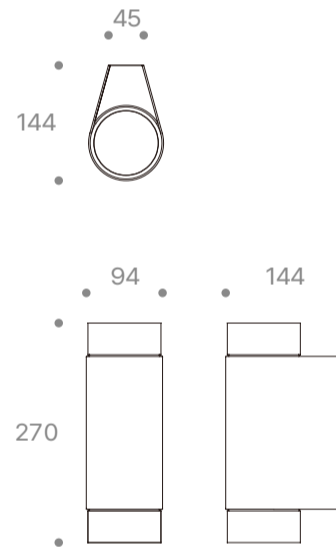
Code
E0416-20L30L000

Technical data



LED Source	BULB
Luminous Flux (lm)	-
Power (W)	Par20 x 2
Luminous efficiency (lm/W)	-
Beam angle (°)	-
Color Temperature (K)	3000
CRI	≥80
Installation	Wall
Dimension (mm)	90 x 144 x 270
Housing	Cast aluminium body, Stainless steel screws, Silicone seal gaskets
Diffuser	Clear tempered glass
Reflector	-
Socket	E26
IP rating	65
Finish Color	Dark gray powdercoat finish
Electrical Data	AC 220~240V, 50~60 Hz
Control	-
Certification	KS

Drawing



Photometric Data

Condition	-
-----------	---

Kailux

Last Update : 2023 . 08

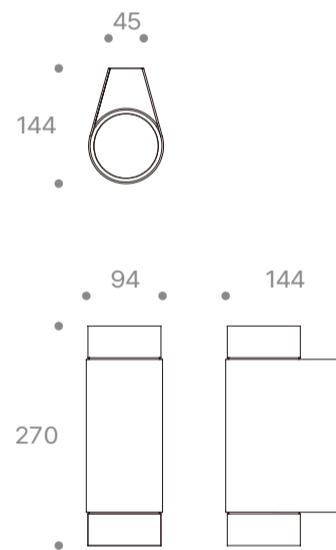
Code
E0416-17C30Z000

Technical data



LED Source	COB
Luminous Flux (lm)	853 x 2(3000K)
Power (W)	8.5 x 2
Luminous efficiency (lm/W)	100
Beam angle (°)	25, 40
Color Temperature (K)	3000
CRI	≥80
Installation	
Dimension (mm)	90 x 144 x 270
Housing	Cast aluminium body, Stainless steel screws, Silicone seal gaskets
Diffuser	Clear tempered glass
Reflector	Aluminium
Socket	-
IP rating	65
Finish Color	Dark gray powdercoat finish
Electrical Data	AC 220~240V, 50~60 Hz
Control	-
Certification	-

Drawing



Photometric Data

Condition	8.5W x 2 . 3000K . 853lm x 2