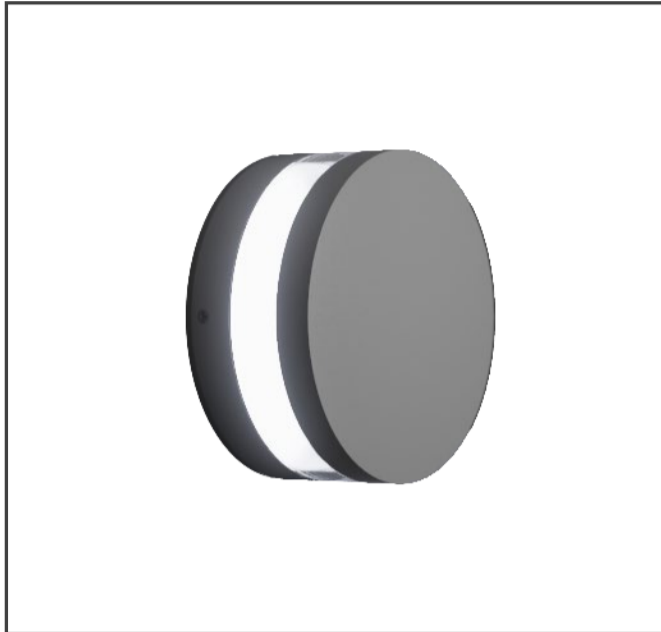


Kailux

Last Update : 2023 . 12

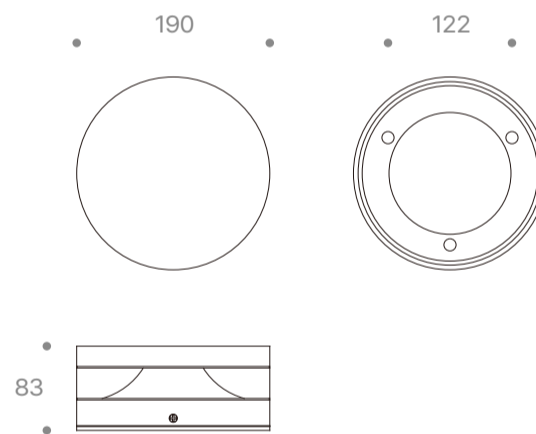
Code
E0408-10S30Z000

Technical data



LED Source	SMD
Luminous Flux (lm)	310(3000K)
Power (W)	10
Luminous efficiency (lm/W)	31
Beam angle (°)	-
Color Temperature (K)	3000
CRI	≥80
Installation	Wall & Ceiling
Dimension (mm)	∅190 x 83
Housing	Aluminium body, Stainless steel screws, Silicone seal gaskets
Diffuser	Clear polycarbonate
Reflector	Aluminium
Optic	-
IP rating	65
Finish Color	Dark gray or Silver powdercoat finish
Electrical Data	AC 220~240V, 50~60 Hz
Control	-
Certification	KS

Drawing



Photometric Data

Condition	10W . 3000K . 310lm
-----------	---------------------

