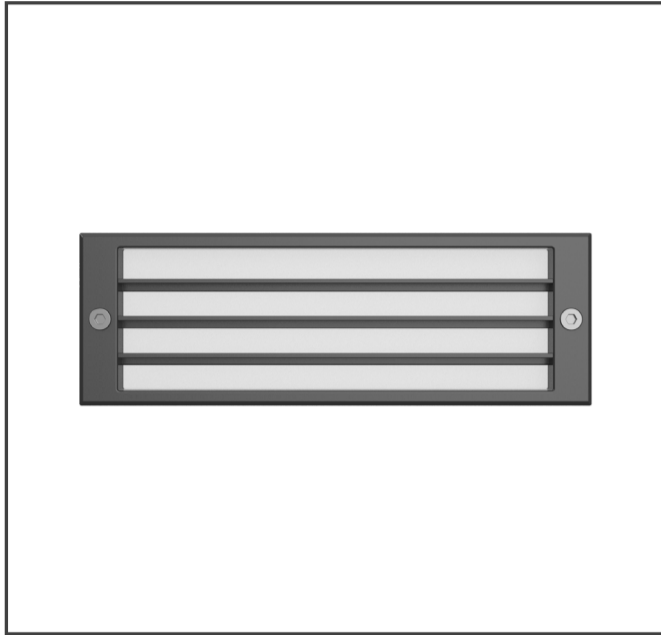


Kailux

Last Update : 2023 . 12

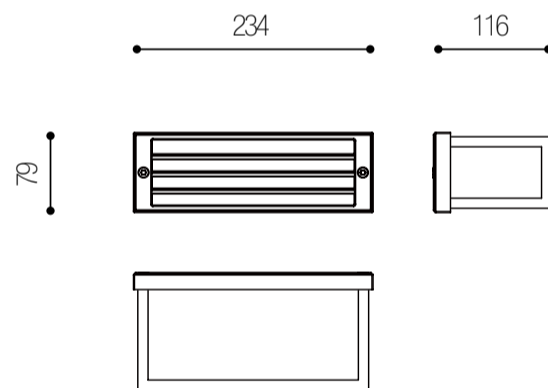
**Code**  
E0808-12S30Z000

**Technical data**



LED Source	SMD
Luminous Flux (lm)	330(3000K)
Power (W)	12
Luminous efficiency (lm/W)	28
Beam angle (°)	-
Color Temperature (K)	3000
CRI	≥80
Installation	Recessed
Dimension (mm)	234 x 79 x 116
Housing	Diecast aluminium body, Stainless steel screws, Silicone seal gaskets
Diffuser	Opal polycarbonate, Grill cover
Reflector	-
Optic	-
IP rating	54
Finish Color	Dark gray powdercoat finish
Electrical Data	AC 220~240V, 50~60 Hz
Control	-
Certification	KS

**Drawing**



**Accessory**



Housing box

**Photometric Data**

Condition	12W . 3000K . 330lm
-----------	---------------------

