

Kailux

Last Update : 2023 . 08

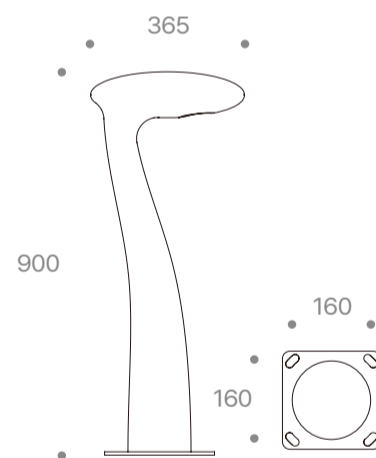
**Code**  
E0221-10C30Z090

**Technical data**

LED Source	COB
Luminous Flux (lm)	850(3000K)
Power (W)	10
Luminous efficiency (lm/W)	85
Beam angle (°)	-
Color Temperature (K)	3000
CRI	≥80
Installation	Floor
Dimension (mm)	190 x 290 x 900
Housing	Cast aluminium body, Stainless steel screws, Silicone seal gaskets
Diffuser	Clear tempered glass
Reflector	Aluminium
Socket	-
IP rating	65
Finish Color	Dark gray powdercoat finish
Electrical Data	AC 220~240V, 50~60 Hz
Control	-
Certification	-

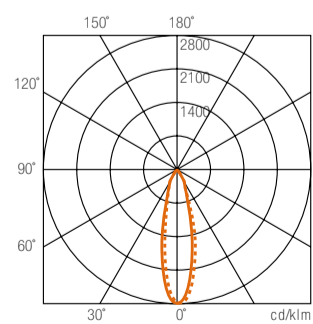


**Drawing**



**Photometric Data**

Condition	10W . 3000K . 850lm
-----------	---------------------



E0221

— C0C180    - - - C90C270