

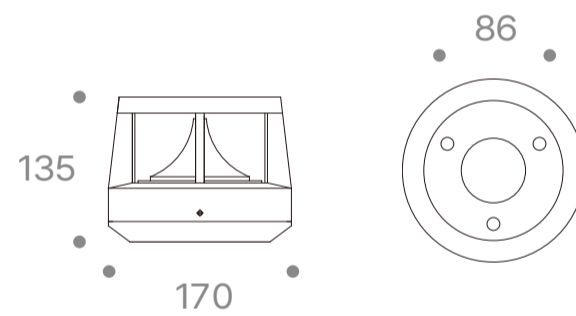
Kailux

Last Update : 2023 . 10

**Code**  
E0311-08S30Z010

**Technical data**

LED Source	SMD
Luminous Flux (lm)	-
Power (W)	8
Luminous efficiency (lm/W)	-
Beam angle (°)	-
Color Temperature (K)	3000
CRI	≥75
Installation	Floor
Dimension (mm)	Ø170 x 135
Housing	Caet aluminium body, Stainless steel screws, Silicone seal gaskets
Diffuser	Acrylic
Reflector	Aluminium
Socket	-
IP rating	44
Finish Color	Dark gray powdercoat finish
Electrical Data	AC 220~240V, 50~60 Hz
Control	-
Certification	-

**Drawing****Photometric Data**

Condition	-
-----------	---