

Kailux

Last Update : 2023 . 08

**Code**

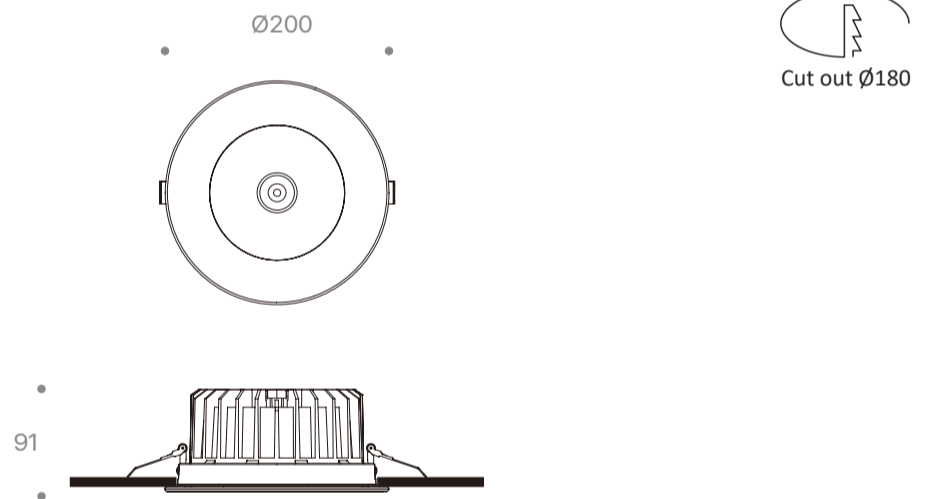
E1004-30C30Z070 / E1004-30C40Z070 / E1004-30C57Z070

**Technical data**

|                            |   |
|----------------------------|---|
| LED Source                 | COB   |
| Luminous Flux (lm)         | 3000(3000K)   |
| Power (W)                  | 30  |
| Luminous efficiency (lm/W) | 100   |
| Beam angle (°)             | 96  |
| Color Temperature (K)      | 3000~6000   |
| CRI                        | ≥80   |
| Installation               | Recessed  |
| Dimension (mm)             | 200 x 98  |
| Housing                    | Diecast aluminium body, Stainless steel screws, Silicone seal gaskets |
| Diffuser                   | -   |
| Reflector                  | -   |
| Optic                      | Silicone lens   |
| IP rating                  | 44  |
| Finish Color               | White powdercoat finish   |
| Electrical Data            | AC 220~240V, 50~60 Hz   |
| Control                    | -   |
| Certification              | KS  |



**Drawing**



**Photometric Data**

|           |                            |
|-----------|----------------------------|
| Condition | 30W . 3000K . 96° . 3000lm |
|-----------|----------------------------|

