

Kailux

Last Update : 2023 . 08

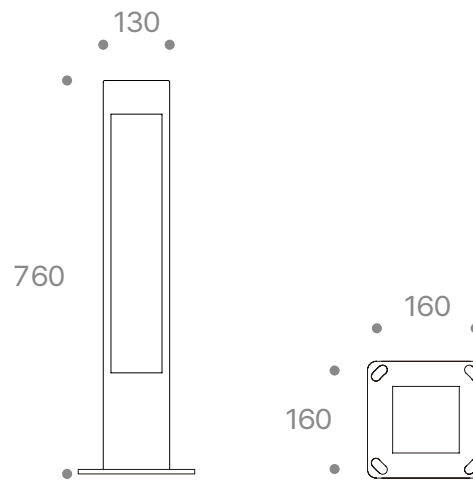
Code
E0217-30S30Z070

Technical data



LED Source	SMD
Luminous Flux (lm)	-
Power (W)	30
Luminous efficiency (lm/W)	-
Beam angle (°)	-
Color Temperature (K)	3000
CRI	≥80
Installation	Floor
Dimension (mm)	130 x 130 x 760
Housing	Aluminium body, Stainless steel screws, Silicone seal gaskets
Diffuser	Opal acrylic
Reflector	-
Socket	-
IP rating	65
Finish Color	Dark gray powdercoat finish
Electrical Data	AC 220~240V, 50~60 Hz
Control	-
Certification	-

Drawing



Photometric Data

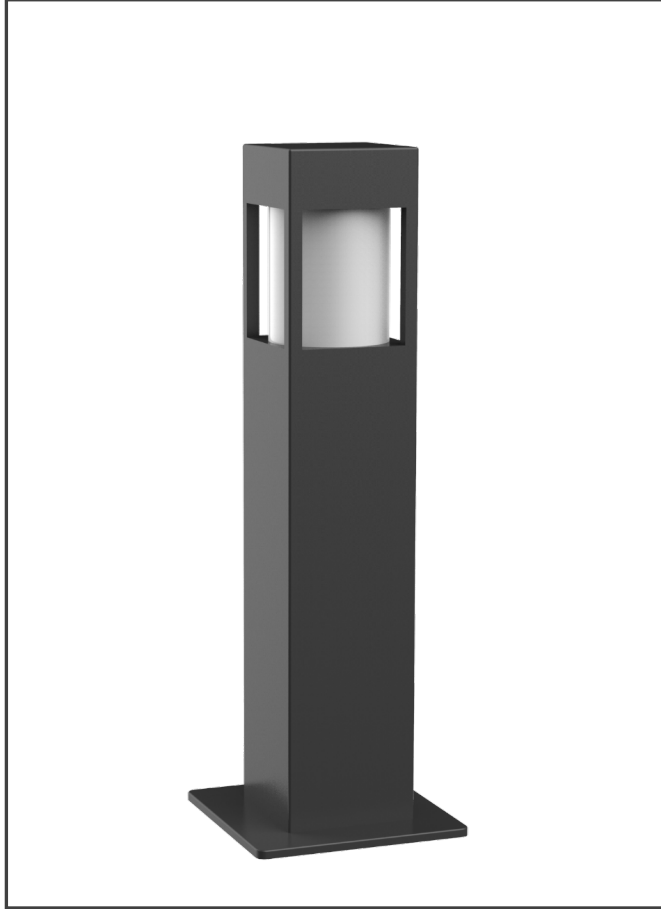
Condition	-
-----------	---

Kailux

Last Update : 2023 . 08

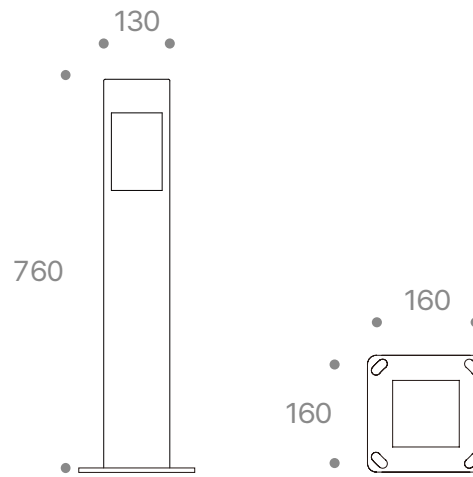
Code
E0217-10L30Z070

Technical data



LED Source	BULB
Luminous Flux (lm)	-
Power (W)	10
Luminous efficiency (lm/W)	-
Beam angle (°)	-
Color Temperature (K)	3000
CRI	≥80
Installation	Floor
Dimension (mm)	130 x 130 x 760
Housing	Aluminium body, Stainless steel screws, Silicone seal gaskets
Diffuser	Opal acrylic
Reflector	-
Socket	-
IP rating	65
Finish Color	Dark gray powdercoat finish
Electrical Data	AC 220~240V, 50~60 Hz
Control	-
Certification	-

Drawing



Photometric Data

Condition	-
-----------	---

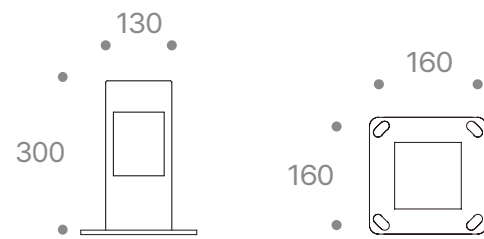
Code
E0217-10L30Z030

Technical data



LED Source	BULB
Luminous Flux (lm)	-
Power (W)	10
Luminous efficiency (lm/W)	-
Beam angle (°)	-
Color Temperature (K)	3000
CRI	≥80
Installation	Floor
Dimension (mm)	130 x 130 x 300
Housing	Aluminium body, Stainless steel screws, Silicone seal gaskets
Diffuser	Opal acrylic
Reflector	-
Socket	-
IP rating	65
Finish Color	Dark gray powdercoat finish
Electrical Data	AC 220~240V, 50~60 Hz
Control	-
Certification	-

Drawing



Photometric Data

Condition	-
-----------	---