

Kailux

Last Update : 2023 . 08

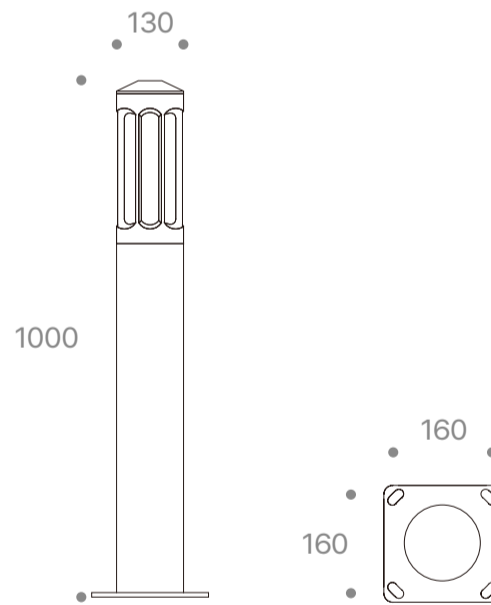
**Code**  
E0212-10L30L100

**Technical data**



LED Source	BULB
Luminous Flux (lm)	-
Power (W)	-
Luminous efficiency (lm/W)	-
Beam angle (°)	-
Color Temperature (K)	3000
CRI	≥80
Installation	Floor
Dimension (mm)	130 x 1000
Housing	Cast aluminium body, Stainless steel screws, Silicone seal gaskets
Diffuser	Opal acrylic
Reflector	-
Socket	E26
IP rating	65
Finish Color	Dark gray powdercoat finish
Electrical Data	AC 220~240V, 50~60 Hz
Control	-
Certification	-

**Drawing**

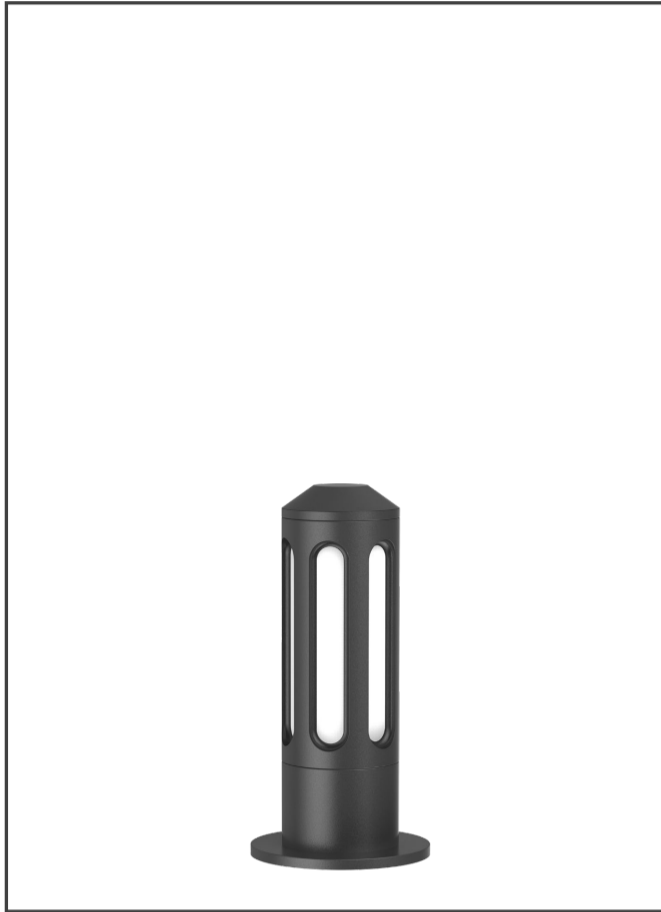


**Photometric Data**

Condition	-
-----------	---

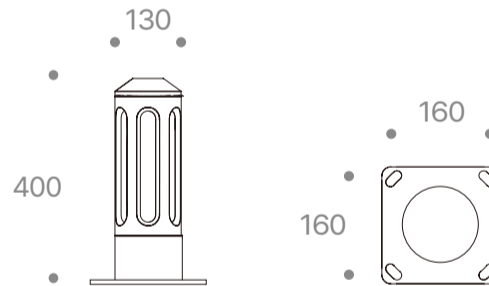
**Code**  
E0212-10L30L040

**Technical data**



LED Source	BULB
Luminous Flux (lm)	-
Power (W)	-
Luminous efficiency (lm/W)	-
Beam angle (°)	-
Color Temperature (K)	3000
CRI	≥80
Installation	Floor
Dimension (mm)	130 x 400
Housing	Cast aluminium body, Stainless steel screws, Silicone seal gaskets
Diffuser	Opal acrylic
Reflector	-
Socket	E26
IP rating	65
Finish Color	Dark gray powdercoat finish
Electrical Data	AC 220~240V, 50~60 Hz
Control	-
Certification	-

**Drawing**



**Photometric Data**

Condition	-
-----------	---