

Kailux

Last Update : 2023 . 08

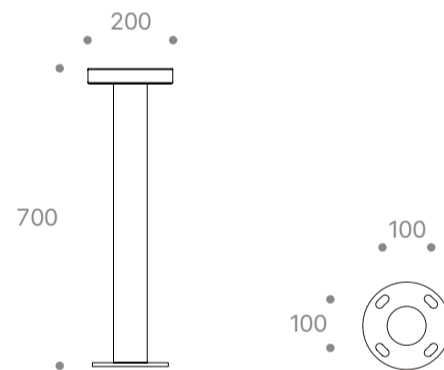
Code
E0214-10C30Z070

Technical data



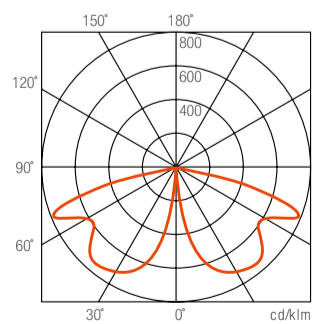
LED Source	SMD
Luminous Flux (lm)	510(3000K)
Power (W)	10
Luminous efficiency (lm/W)	51
Beam angle (°)	-
Color Temperature (K)	3000
CRI	≥70
Installation	Floor
Dimension (mm)	∅200 x 700
Housing	Cast aluminium body, Stainless steel screws, Silicone seal gaskets
Diffuser	Opal polycarbonate
Reflector	-
Socket	-
IP rating	65
Finish Color	Dark gray powdercoat finish
Electrical Data	AC 220~240V, 50~60 Hz
Control	-
Certification	-

Drawing



Photometric Data

Condition	10W . 3000K . 510lm
-----------	---------------------

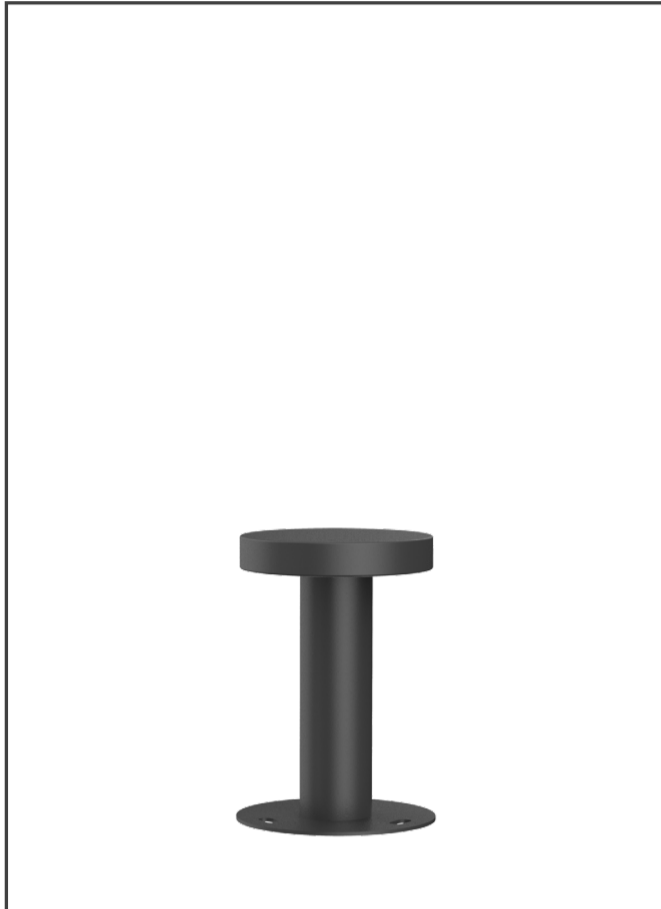


E0214
— COC180

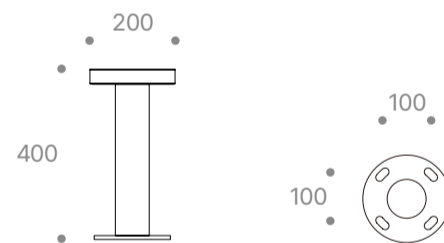
Code
E0214-10C30Z040

Technical data

LED Source	SMD
Luminous Flux (lm)	510(3000K)
Power (W)	10
Luminous efficiency (lm/W)	51
Beam angle (°)	-
Color Temperature (K)	3000
CRI	≥70
Installation	Floor
Dimension (mm)	∅200 x 400
Housing	Cast aluminium body, Stainless steel screws, Silicone seal gaskets
Diffuser	Opal polycarbonate
Reflector	-
Socket	-
IP rating	65
Finish Color	Dark gray powdercoat finish
Electrical Data	AC 220~240V, 50~60 Hz
Control	-
Certification	-

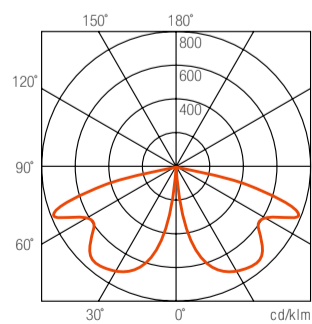


Drawing



Photometric Data

Condition	10W . 3000K . 510lm
-----------	---------------------



E0214-1
COC180