

Kailux

Last Update : 2023 . 08

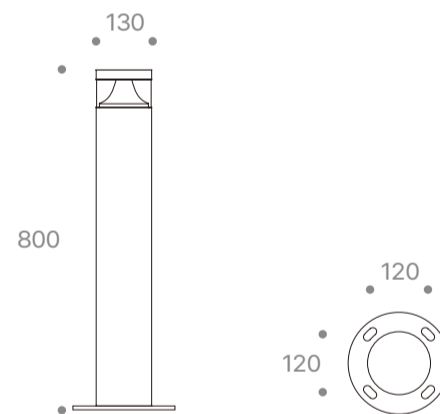
Code
E0201-10S30Z080-S

Technical data



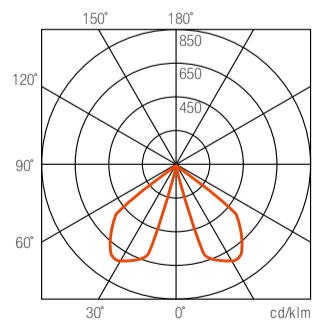
LED Source	SMD
Luminous Flux (lm)	850(3000K)
Power (W)	10
Luminous efficiency (lm/W)	85
Beam angle (°)	-
Color Temperature (K)	3000
CRI	≥80
Installation	Floor
Dimension (mm)	Ø130 x 800
Housing	Cast aluminium body, Stainless steel screws, Silicone seal gaskets
Diffuser	Clear polycarbonate
Reflector	Aluminium
Socket	-
IP rating	65
Finish Color	Dark gray powdercoat finish
Electrical Data	AC 220~240V, 50~60 Hz
Control	-
Certification	-

Drawing



Photometric Data

Condition	10W . 3000K . 850lm
-----------	---------------------



E0201
— C0C180

Kailux

Last Update : 2023 . 08

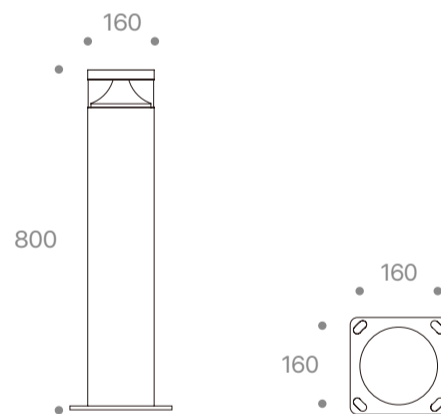
Code
E0201-10S30Z080

Technical data



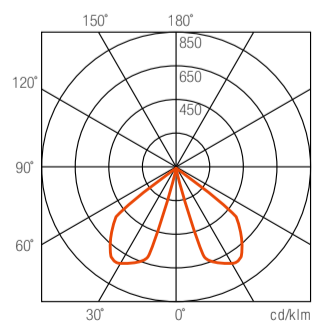
LED Source	SMD
Luminous Flux (lm)	850(3000K)
Power (W)	10
Luminous efficiency (lm/W)	85
Beam angle (°)	-
Color Temperature (K)	3000
CRI	≥80
Installation	Floor
Dimension (mm)	Ø160 x 800
Housing	Cast aluminium body, Stainless steel screws, Silicone seal gaskets
Diffuser	Clear polycarbonate
Reflector	Aluminium
Socket	-
IP rating	65
Finish Color	Dark gray powdercoat finish
Electrical Data	AC 220~240V, 50~60 Hz
Control	-
Certification	-

Drawing



Photometric Data

Condition	10W . 3000K . 850lm
-----------	---------------------



E0201-1
— COC180

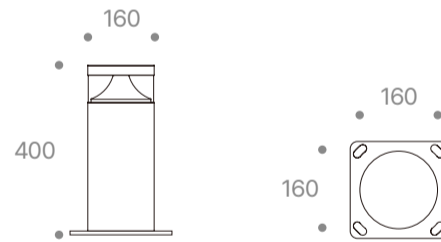
Code
E0201-10S30Z040

Technical data



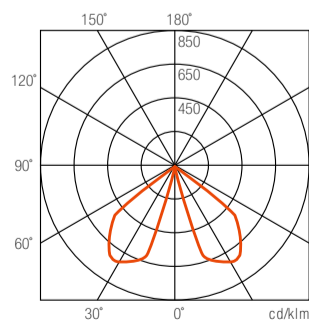
LED Source	SMD
Luminous Flux (lm)	850(3000K)
Power (W)	10
Luminous efficiency (lm/W)	85
Beam angle (°)	-
Color Temperature (K)	3000
CRI	≥80
Installation	Floor
Dimension (mm)	Ø160 x 400
Housing	Cast aluminium body, Stainless steel screws, Silicone seal gaskets
Diffuser	Clear polycarbonate
Reflector	Aluminium
Socket	-
IP rating	65
Finish Color	Dark gray powdercoat finish
Electrical Data	AC 220~240V, 50~60 Hz
Control	-
Certification	-

Drawing



Photometric Data

Condition	10W . 3000K . 850lm
-----------	---------------------



E0201-2
— C0/C180