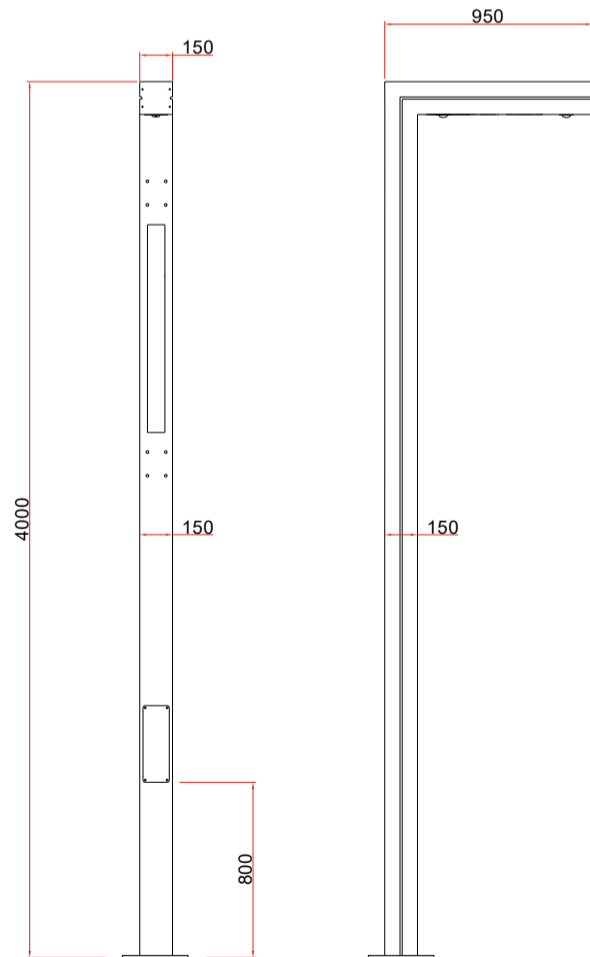
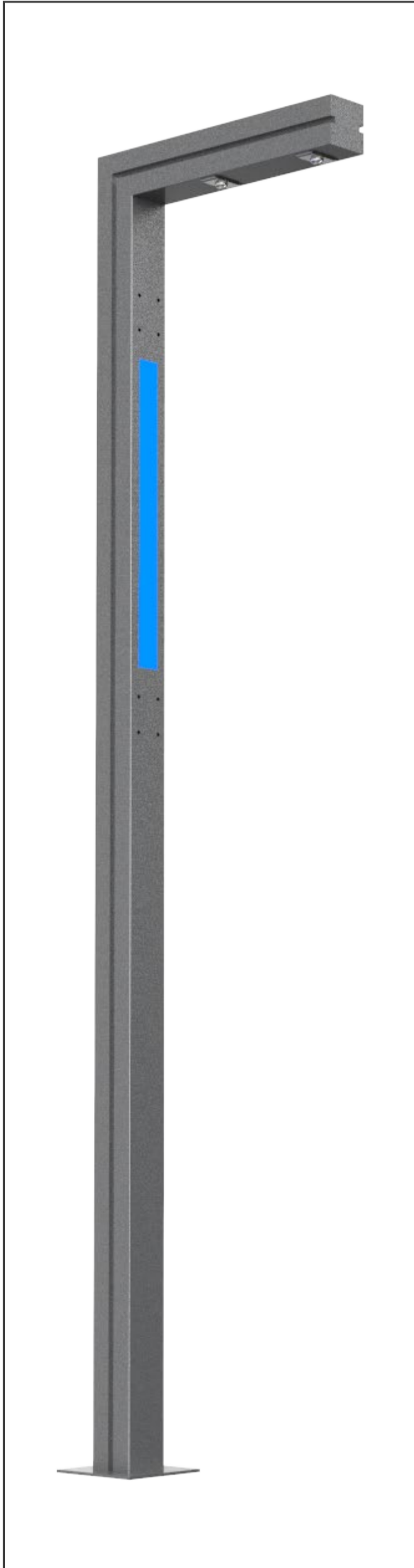


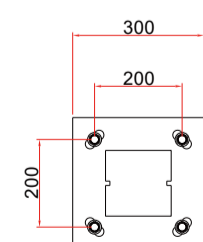
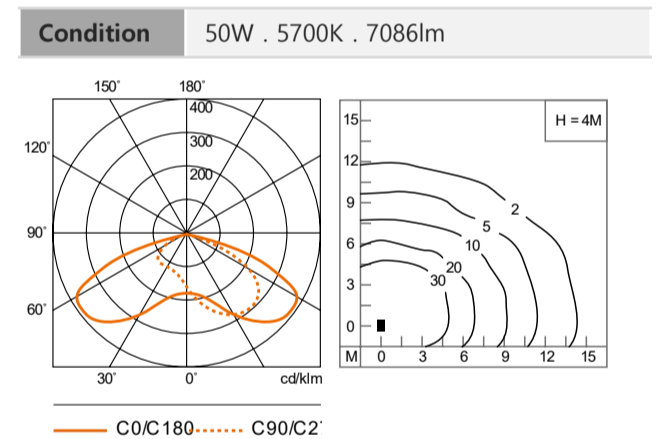
Technical data

LED Source	COB
Luminous Flux (lm)	7086(5700K)
Power (W)	50(White) + 50(RGB)
Luminous efficiency (lm/W)	146
Beam angle (°)	Asymmetry
Color Temperature (K)	3000~6000
CRI	≥80
Installation	-
Dimension (mm)	150 x 950 x 4000
Housing	Cast aluminium body, Stainless steel screws, Silicone seal gaskets
Diffuser	Polycarbonate(indicator)
Reflector	-
Optic	Silicone lens
IP rating	65
Finish Color	Dark gray or Silver powdercoat finish
Electrical Data	AC 220~240V, 50~60 Hz
Control	-
Certification	KS

Drawing



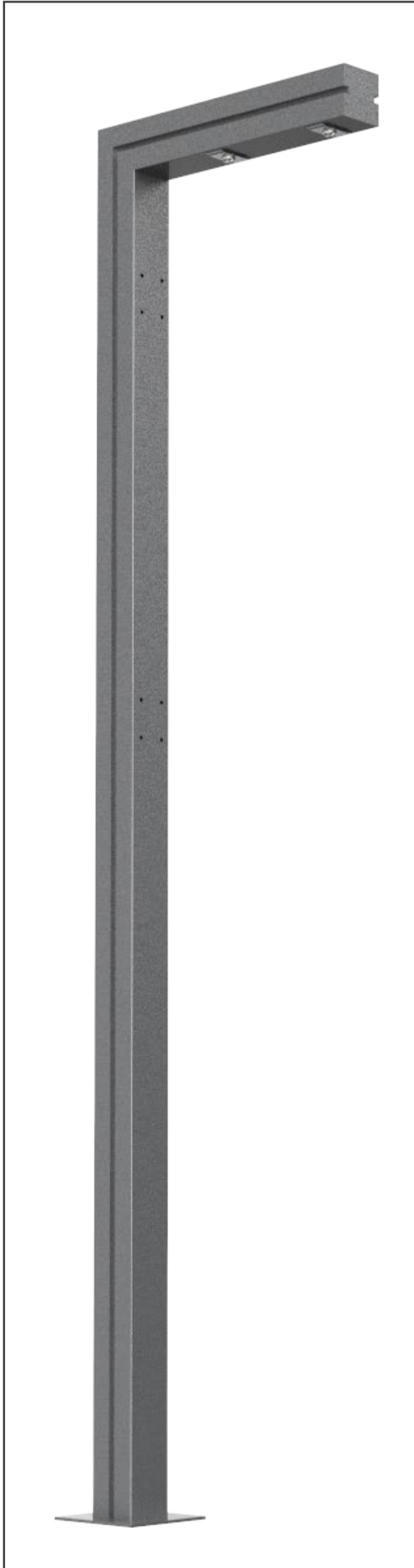
Photometric Data



Technical data

LED Source	COB
Luminous Flux (lm)	7086(5700K)
Power (W)	50
Luminous efficiency (lm/W)	146
Beam angle (°)	Asymmetry
Color Temperature (K)	3000~6000
CRI	≥80
Installation	-
Dimension (mm)	150 x 950 x 4000
Housing	Cast aluminium body, Stainless steel screws, Silicone seal gaskets
Diffuser	-
Reflector	-
Optic	Silicone lens
IP rating	65
Finish Color	Dark gray or Silver powdercoat finish
Electrical Data	AC 220~240V, 50~60 Hz
Control	-
Certification	KS

Drawing



Photometric Data

