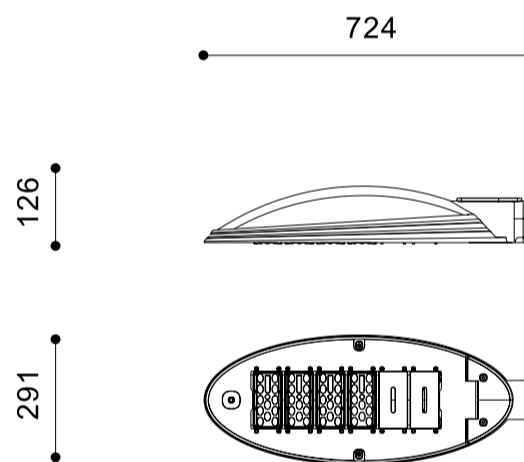


Technical data



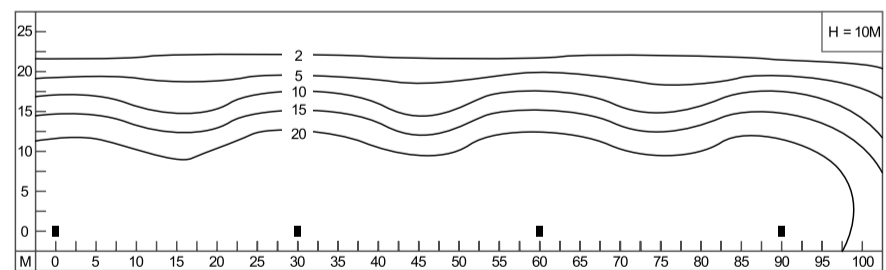
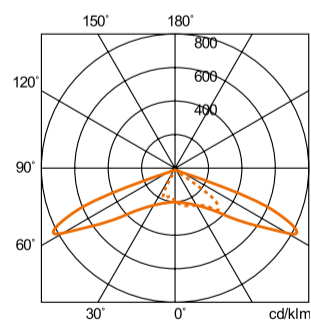
LED Source	SMD
Luminous Flux (lm)	10903(5700K)
Power (W)	71
Luminous efficiency (lm/W)	159
Beam angle (°)	Asymmetry
Color Temperature (K)	3000~6000
CRI	≥75
Installation	-
Dimension (mm)	291 x 724 x 126
Housing	Diecast aluminium body, Stainless steel screws, Silicone seal gaskets
Diffuser	-
Reflector	-
Optic	PMMA
IP rating	65
Finish Color	Dark gray or Silver powdercoat finish
Electrical Data	AC 220~240V, 50~60 Hz
Control	-
Certification	KS

Drawing



Photometric Data

Condition	71W . 5700K . 10903lm
-----------	-----------------------



E0129 / E0129-1 / E0130
 — C0/C180 C90/C27

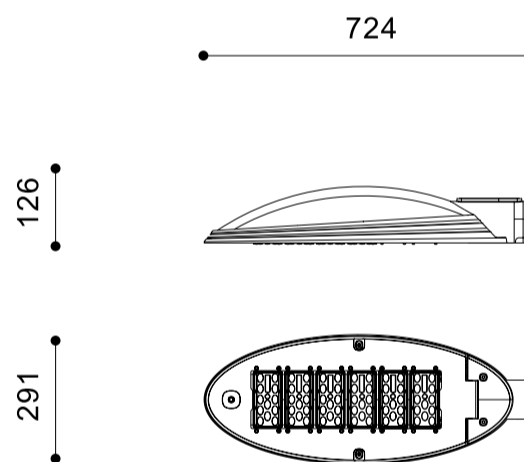
Code
E0129-1

Technical data



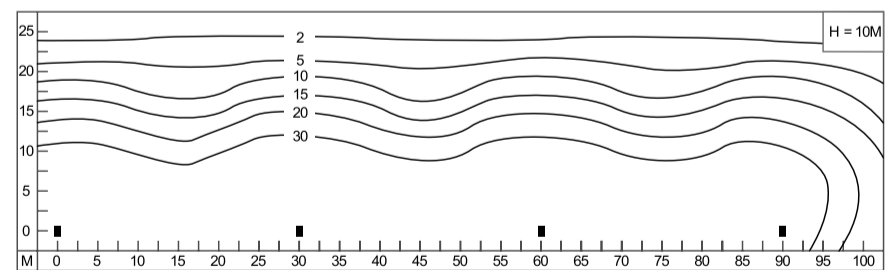
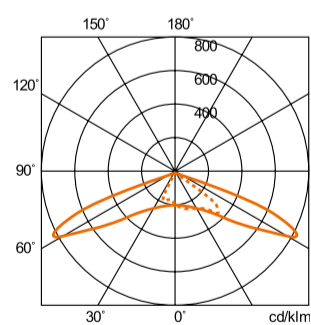
LED Source	SMD
Luminous Flux (lm)	16057(5700K)
Power (W)	102
Luminous efficiency (lm/W)	160.5
Beam angle (°)	Asymmetry
Color Temperature (K)	3000~6000
CRI	≥75
Installation	-
Dimension (mm)	291 x 724 x 126
Housing	Diecast aluminium body, Stainless steel screws, Silicone seal gaskets
Diffuser	-
Reflector	-
Optic	PMMA
IP rating	65
Finish Color	Dark gray or Silver powdercoat finish
Electrical Data	AC 220~240V, 50~60 Hz
Control	-
Certification	KS

Drawing



Photometric Data

Condition 150W . 5700K . 16057lm



E0129 / E0129-1 / E0130
— C0/C180 C90/C27

Kailux

Last Update : 2020 . 08

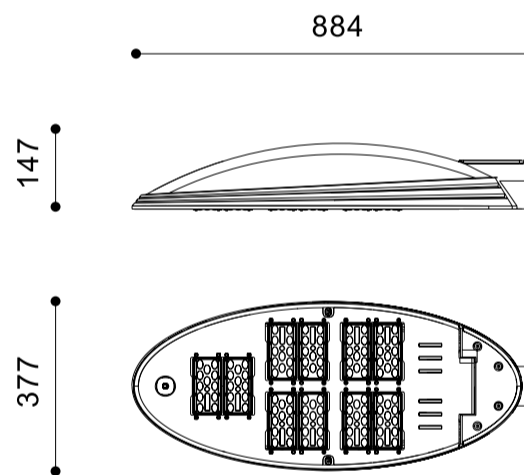
Code
E0130

Technical data



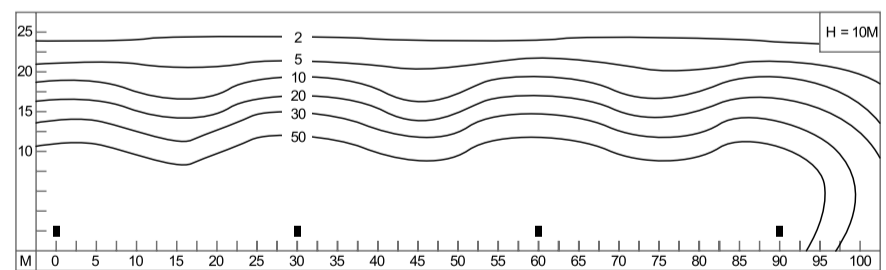
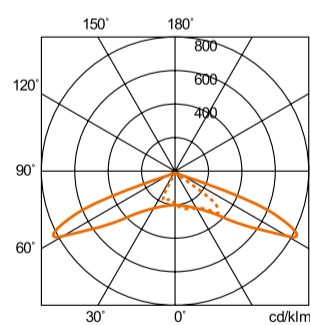
LED Source	SMD
Luminous Flux (lm)	28234(5700K)
Power (W)	174
Luminous efficiency (lm/W)	156
Beam angle (°)	Asymmetry
Color Temperature (K)	3000~6000
CRI	≥75
Installation	-
Dimension (mm)	291 x 724 x 126
Housing	Diecast aluminium body, Stainless steel screws, Silicone seal gaskets
Diffuser	-
Reflector	-
Optic	PMMA
IP rating	65
Finish Color	Dark gray or Silver powdercoat finish
Electrical Data	AC 220~240V, 50~60 Hz
Control	-
Certification	KS

Drawing



Photometric Data

Condition 174W . 5700K . 28234lm



E0129 / E0129-1 / E0130
 — C0/C180 C90/C27