

Kailux

Last Update : 2020 . 08

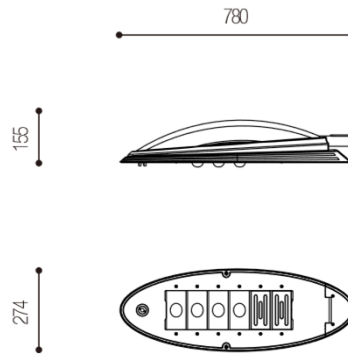
Code
E0120

Technical data



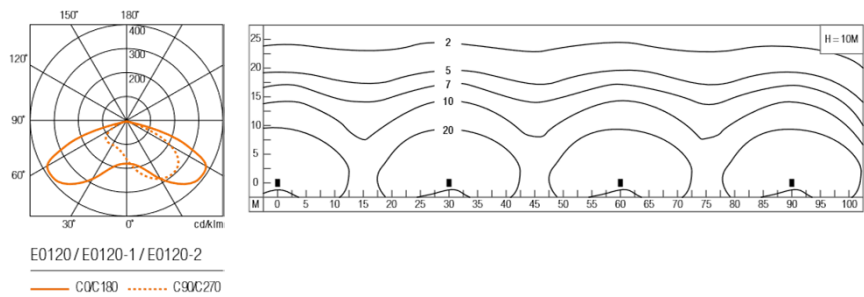
LED Source	COB
Luminous Flux (lm)	13000(5700K)
Power (W)	90
Luminous efficiency (lm/W)	147
Beam angle (°)	Asymmetry
Color Temperature (K)	3000~6000
CRI	≥80
Installation	-
Dimension (mm)	274 x 780 x 155
Housing	Diecast aluminium body, Stainless steel screws, Silicone seal gaskets
Diffuser	-
Reflector	-
Optic	Silicone lens
IP rating	65
Finish Color	Dark gray or Silver powdercoat finish
Electrical Data	AC 220~240V, 50~60 Hz
Control	-
Certification	KS, 고효율

Drawing



Photometric Data

Condition	90W . 5700K . 13000lm
-----------	-----------------------



Kailux

Last Update : 2020 . 08

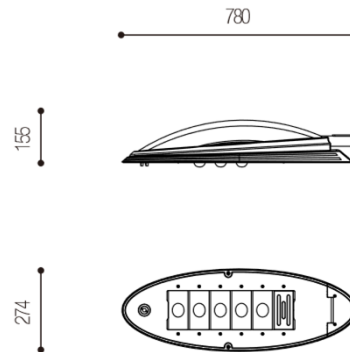
Code
E0120-1

Technical data



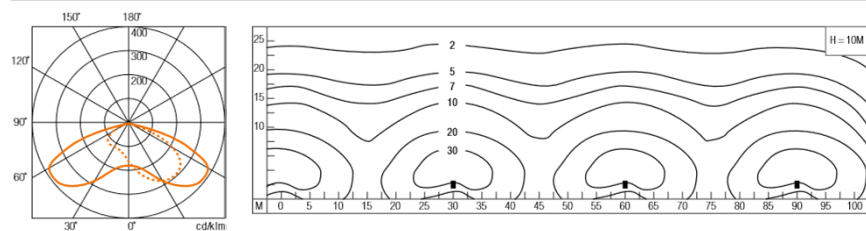
LED Source	COB
Luminous Flux (lm)	17300(5700K)
Power (W)	125
Luminous efficiency (lm/W)	144
Beam angle (°)	Asymmetry
Color Temperature (K)	3000~6000
CRI	≥80
Installation	-
Dimension (mm)	274 x 780 x 155
Housing	Diecast aluminium body, Stainless steel screws, Silicone seal gaskets
Diffuser	-
Reflector	-
Optic	Silicone lens
IP rating	65
Finish Color	Dark gray or Silver powdercoat finish
Electrical Data	AC 220~240V, 50~60 Hz
Control	-
Certification	KS, 고효율

Drawing



Photometric Data

Condition	125W . 5700K . 17300lm
-----------	------------------------



E0120 / E0120-1 / E0120-2
 — C0C180 C90C270

Kailux

Last Update : 2020 . 08

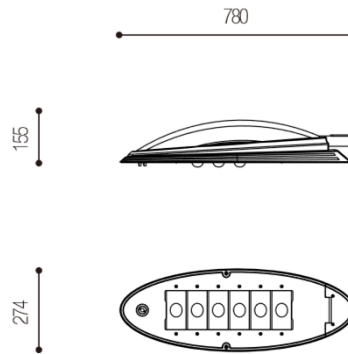
Code
E0120-2

Technical data



LED Source	COB
Luminous Flux (lm)	21000(5700K)
Power (W)	150
Luminous efficiency (lm/W)	142
Beam angle (°)	Asymmetry
Color Temperature (K)	3000~6000
CRI	≥80
Installation	-
Dimension (mm)	274 x 780 x 155
Housing	Diecast aluminium body, Stainless steel screws, Silicone seal gaskets
Diffuser	-
Reflector	-
Optic	Silicone lens
IP rating	65
Finish Color	Dark gray or Silver powdercoat finish
Electrical Data	AC 220~240V, 50~60 Hz
Control	-
Certification	KS, 고효율

Drawing



Photometric Data

