

Kailux

Last Update : 2020 . 08

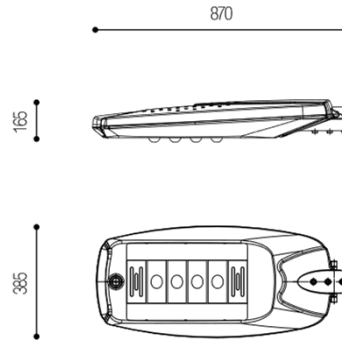
Code
E0117

Technical data

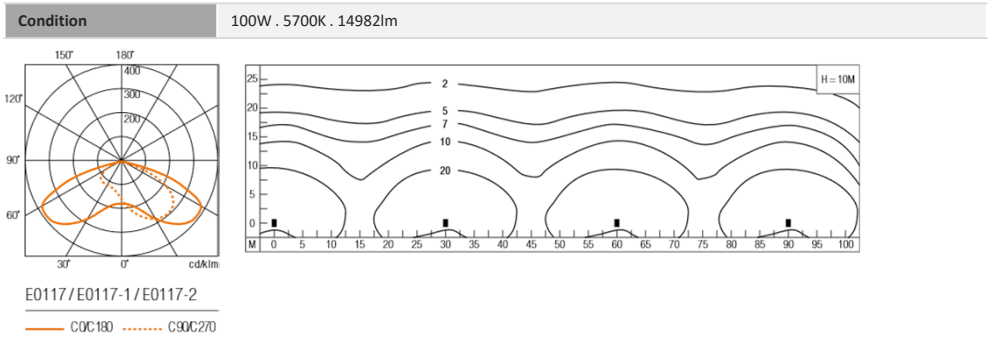


LED Source	COB
Luminous Flux (lm)	14982(5700K)
Power (W)	100
Luminous efficiency (lm/W)	150
Beam angle (°)	Asymmetry
Color Temperature (K)	3000~6000
CRI	≥80
Installation	-
Dimension (mm)	385 x 870 x 165
Housing	Diecast aluminium body, Stainless steel screws, Silicone seal gaskets
Diffuser	-
Reflector	-
Optic	Silicone lens
IP rating	65
Finish Color	Dark gray or Silver powdercoat finish
Electrical Data	AC 220~240V, 50~60 Hz
Control	-
Certification	KS, 고효율

Drawing



Photometric Data



Kailux

Last Update : 2020 . 08

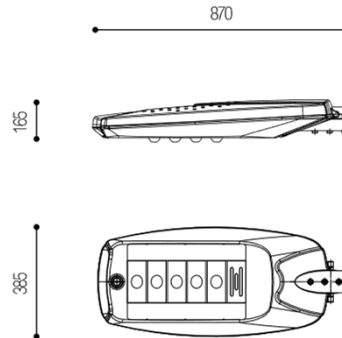
Code
E0117-1

Technical data



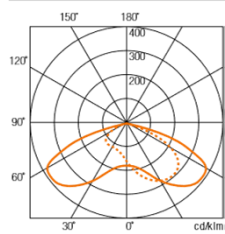
LED Source	COB
Luminous Flux (lm)	18632(5700K)
Power (W)	125
Luminous efficiency (lm/W)	150
Beam angle (°)	Asymmetry
Color Temperature (K)	3000~6000
CRI	≥80
Installation	-
Dimension (mm)	385 x 870 x 165
Housing	Diecast aluminium body, Stainless steel screws, Silicone seal gaskets
Diffuser	-
Reflector	-
Optic	Silicone lens
IP rating	65
Finish Color	Dark gray or Silver powdercoat finish
Electrical Data	AC 220~240V, 50~60 Hz
Control	-
Certification	KS, 고효율

Drawing

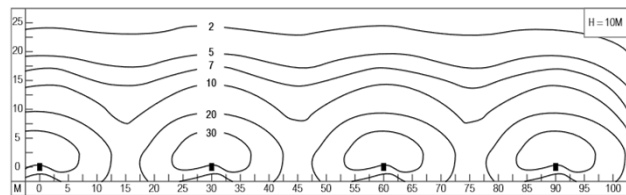


Photometric Data

Condition	125W . 5700K . 18632lm
-----------	------------------------



E0117/E0117-1/E0117-2
— C0C180 C90C270



Kailux

Last Update : 2020 . 08

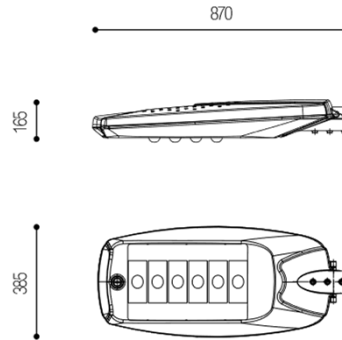
Code
E0117-2

Technical data



LED Source	COB
Luminous Flux (lm)	21608(5700K)
Power (W)	150
Luminous efficiency (lm/W)	147
Beam angle (°)	Asymmetry
Color Temperature (K)	3000~6000
CRI	≥80
Installation	-
Dimension (mm)	385 x 870 x 165
Housing	Diecast aluminium body, Stainless steel screws, Silicone seal gaskets
Diffuser	-
Reflector	-
Optic	Silicone lens
IP rating	65
Finish Color	Dark gray or Silver powdercoat finish
Electrical Data	AC 220~240V, 50~60 Hz
Control	-
Certification	KS, 고효율

Drawing



Photometric Data

